

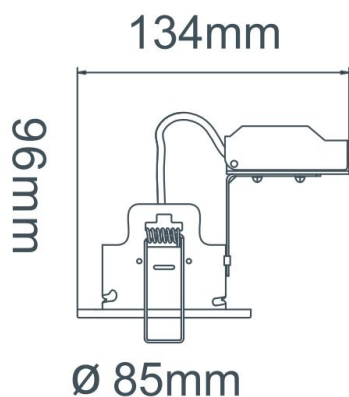
TECHNICAL DATA



Voltage	220~240V
Wattage	50W Max
Lamp Holder	GU10/ GX5.3
Connector	Easy wiring connector
Fire Protection	30/60/90 minutes
IP Rating	IP65
Colour Temperature	2700K/3000K/4000K/5000K
Guarantee	3 years



INSTALLATION



Cut out: Ø 78mm

DIMENSION

Diameter	Ø85mm
Height	96mm
Cut Out	Ø78mm

COMPONENT

Material	Steel
Colour	Black/White/Brush nickel

